

M101S, 10.1-inch Rugged Tablet PC

A Rugged Tablet that Can Survive Any Environment and Get Real Work Done

M101S is a rugged tablet PC with robust set of features designed to withstand industrial use while providing high tech solutions that increase productivity, improve safety, and reduce operational costs. The processing power comes from Intel's core i5-7200U Kaby lake processor paired with genuine Intel graphics for high performance. The tablet features a brilliant, in-plane switching with direct optical bonding, projective capacitive touch screen, which is outdoor viewable and offers 1920 x 1200 pixel resolution. Weighing at just 2.75 pounds (approx. 1250 grams) the M101S delivers lightweight mobility in a rugged tablet.



Highlights

- 7th Gen Intel Core i5 Kaby lake Processor
- 10.1" 1920 x 1200 IPS LED Panel with direct optical bonding
- Sunlight readable with anti-glare solution
- Optional Integrated 1D/2D Barcode Reader and HF RFID for data collection
- Hot-swappable battery design with optional High capacity battery pack
- IP65 water and dust proof with MIL-STD-810G rugged housing

*Please consult your reseller or Winmate representative before purchasing.

*Accessories and Integrated Options may vary depending on your configuration. Visit Winmate website for more accessories and



M101S, 10.1-inch Rugged Tablet PC

A Rugged Tablet that Can Survive Any Environment and Get Real Work Done

Display Specification

Size	10.1-inch IPS display with LED Backlight
Resolution	1920 x 1200 WUXGA
Panel Brightness	800 nit
	With direct optical bonding for sunlight readability
Touch	Multi-touch projected capacitive
Contrast Ratio	800:1
Viewing Angle	85/85/85/85
Technology	<ul style="list-style-type: none">• Anti-glare technology• Automatic screen rotation

System Specification

Processor	Intel Core i5-7200U 2.5GHz (turbo to 3.1GHz)
System Memory	4GB DDR4 SDRAM ¹ (up to 16GB)
Storage	128GB SSD (Options up to 512GB)
	Additional storage available with micro SDXC card slot
Graphics	Intel® HD Graphics 620
Operating System	Windows 10 IoT Enterprise
Sensors	Light sensor/ g-sensor / Gyro / E-compass

Wireless Communication

WLAN	802.11 a/b/g/n/ac WiFi
Bluetooth	Bluetooth 5.0
GNSS	GPS, GLONASS
WWAN	Optional 4G LTE

Interface

Docking Connector	1 x 19-pin docking connector
HDMI	1 x Micro HDMI
USB	1 x USB 3.0 (Type A), 1 x USB 3.0 (Type C) ²
Power Input	1 x Power Jack
Micro SD	1 x Micro SDXC Slot
Audio Connector	1 x Audio Combo connector (Mic in or Line Out)
Micro SIM	1 x Micro SIM card slot
mini PCIe	1 x Mini PCIe for WWAN Module

Input

Physical Buttons	<ul style="list-style-type: none">• 1 x power, 1 x Home, 2 x volume key• 2 x Programmable function Keys
Touch	<ul style="list-style-type: none">• 10-point multi touch, supports Rain, Stylus, Glove Modes

Status Indicators

LED Indicators	Power, Battery, HDD, RF
----------------	-------------------------

Audio

Microphone	Built-in dual Digital Mic with Noise Cancellation
Speaker	2 x 1 watt speaker

Cameras

Web Camera	2MP webcam
Rear Camera	8MP rear camera with autofocus and LED light

Data Capture

Integrated	Optional 1D/2D Barcode Reader Optional HF RFID reader
------------	----------------------------------------------------------

Security Function

Security	<ul style="list-style-type: none">• Trusted Platform Module (TPM) 2.0 ³• Kensington Lock
Mobile Device Mgmt.	SOTI Mobicontrol compatible ⁴

Standards and Certification

EMC	CE, FCC
IoT	Microsoft Azure Certified for IoT

Power Management

Power Input	12-19V DC
Battery	Hot-swappable 7.4V, typ. 5140 mAh Li-Polymer Battery (2S1P) 7.4V, typ. 10280 mAh Li-Polymer Battery (2S2P, optional)
Battery Operating Time	Std. Battery: 8 hours ⁵
High Capacity Battery	16 hours ⁵
Adapter	100-240V, 50-60Hz / 19V DC

Mechanical

Dimension (W x L x H)	271.8 x 197.2 x 21 mm (10.7 x 7.76 x 0.83 inches) ⁶
Weight	1.25 kg (2.75 lbs) with standard battery, 1.45 kg (3.2 lbs) with optional high capacity battery

Environment

Operating Temperature	-20°C to 60°C (AC mode), -10°C to 50°C (Battery mode)
Storage Temperature	-30°C to 70°C (-22°F to 158°F)
Humidity	10% to 90% RH, non-condensing
IP Proof	IP65 certified, Dustproof and waterproof
Shock	MIL-STD-810G Method 516.6 Procedure I
Vibration	MIL-STD-810G Method 514.6 Procedure I
Drop	MIL-STD-810G Method 516.6, 4 ft to concrete ⁷

Accessories

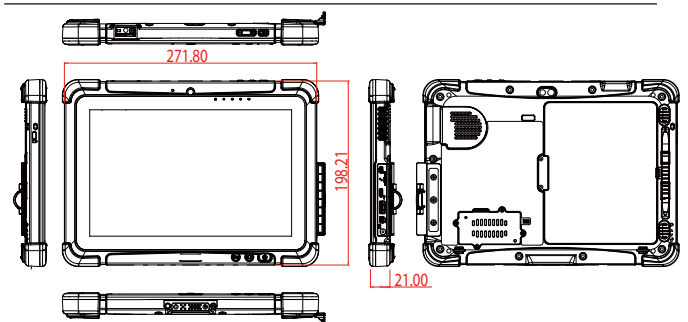
Standard Accessories

Adapter and Power Cord	922D065W19V1
Capacitive Stylus	9B0000000415
Standard Battery	98K000A0003T

Optional Accessories ⁸

Desk Dock	98DT00A0000E
Vehicle Dock (without VGA output)	98DT00A0000F
Vehicle Cradle	98DT00A00010
Vehicle Charger	9226065W19V0
High Capacity Battery	98K000A0003S
Battery Charger	98KT00A0000F
Hand Strap	98K000A0003J
Shoulder Strap	98K000A0003Q
Carry Bag	9B000000003J
Micro HDMI Cable	9491191190K1
USB-C to Ethernet Adapter	9AN000000001
USB-C to RS232 Adapter	9AN00000000L
USB-C to USB-A Hub	9AN00000000J

Drawing ⁹



Caution

Do Not Expose the Battery Pack to Excessive Heat, or Extreme Heat (Near Fire, in Direct Sunlight for example)
Do not expose bare skin to this product when handling this unit in extreme hot or cold environments

1. Total usable memory will be less depending upon actual system configuration.
2. The USB Type-C connector follows USB 3.0 standard, which does not support Alternate Mode (ALT) or USB Power Delivery (USB-PD).
3. TPM 2.0 available upon request.
4. SOTI is available upon request.
5. Measured at dimming LCD brightness. Varies depending on the usage conditions, or when an external device is attached.
6. Length measurements do not include protrusions. Weight varies with options and active pen.
7. The drop test with high-capacity battery must come with hand strap.
8. Accessories and Integrated Options may vary depending on your configuration.
9. This is a simplified drawing and some components are not marked in detail.