

FM10

10.4" Vehicle Mounted Computer



KEY FEATURES

- 10.4" 1024 x 768 Panel with anti-scratch resistive touch screen
- Field replaceable front panel to reduce service costs
- Intel Quad Core Atom E3845 Processor
- IP65 waterproof and dustproof
- Magnesium alloy housing
- Wide range operating temperature



SPECIFICATIONS

Display	
Resolution	1024x768
Contrast Ratio	1200:1
View Angles	88,88,88,88
Touch Mode	With Stylus Support
Size	10.4 inches
Panel Brightness	400 (Optional 800) nits
Type	Resistive Touch
System Specification	
Processor	Intel Quad-Core Atom E3845 Processor , 1.91 GHz
Storage	64GB M.2 SSD 128GB M.2 SSD (Optional) 256GB M.2 SSD (Optional)
Memory	4GB SODIMM DDR3L-1600 8GB SODIMM DDR3L-1600 (Optional)
Operating System	Windows 10 IoT Enterprise Windows Embedded 8.1 Industry Pro (Optional) Windows 7 Professional for Embedded System (Optional) Windows Embedded Standard 7 (Optional)
WLAN	802.11 a/b/g/n/ac mode
WWAN	4G/LTE (Optional)
Sensors	G-Sensor, Light Sensor ,Temp Sensor
BT	BT Support
GNSS	GPS/AGPS
Camera	
Front Camera	2MP Camera
Environment	
Operating Humidity	5% to 90% RH, Non-Condensing
Operating Temperature	-20°C to 60°C AC Mode: -20°C to 50°C (-4°F to 122°F) Batter Mode: -10°C to 50°C (14°F to 122°F) with Optional Heater: -30°C to 50°C (-22°F to 122°F)
Storage Temperature	-30°C to 60°C
Shock	MIL-STD-810G Method 516.6 Procedure I, 30 g for 18 ms
Vibration	MIL-STD-810G Method 514.6 Procedure I
IP rating	IP65 Certified, Waterproof and Dustproof
Impact	Support EN62262 IK70 Rating
ESD	Compliant with EN 61000-4-2, enhanced ESD to ±12kV direct & ±15kV air
Certification	
Certification	CE, FCC, UL60950-1, EN60950-1, PTCRB, FCC (Electromagnetic Emissions), IC (ICES-003)
Control	

Button 1 x Power Button, 6 x Function Button
(Programmable Function Key Configured by Winset)

IO Ports

USB Port	1 x USB 3.0(Tablet) 1 x DB9 Connector for 2 x USB 2.0 Port(Docking)	Serial Port	2 x COM Port(Docking)
SD Card Slot	1 x Micro SD Card Slot(Tablet)	SIM Card Slot	1 x SIM Card Slot(Tablet)
Audio	2 x Speaker(Docking) 1 x CANBus or 1 x Audio(Docking)	LAN	1 x Gigabit LAN port(Docking)
Indicator	4 x LED Indicator (Wi-Fi, BT, UPS battery, HDD, Screen Blanking, Heater)		

Mechanical

Dimension	Tablet: 268 x 214 x 35 mm (10.6 x 8.42 x 1.37 inches) Docking: 202 x 245 x 52 mm (7.9 x 9.6 x 2.04 inches)	Weight	Tablet 1.7 kg (3.75 lbs) Docking 1.6 kg (3.53 lbs)
Mounting	RAM Mount/ VESA Mount	Cooling System	Fanless Design
Housing	Magnesium alloy housing		

Security Function

SOTI MobiControl	SOTI MobiControl Compliance		
-------------------------	-----------------------------	--	--

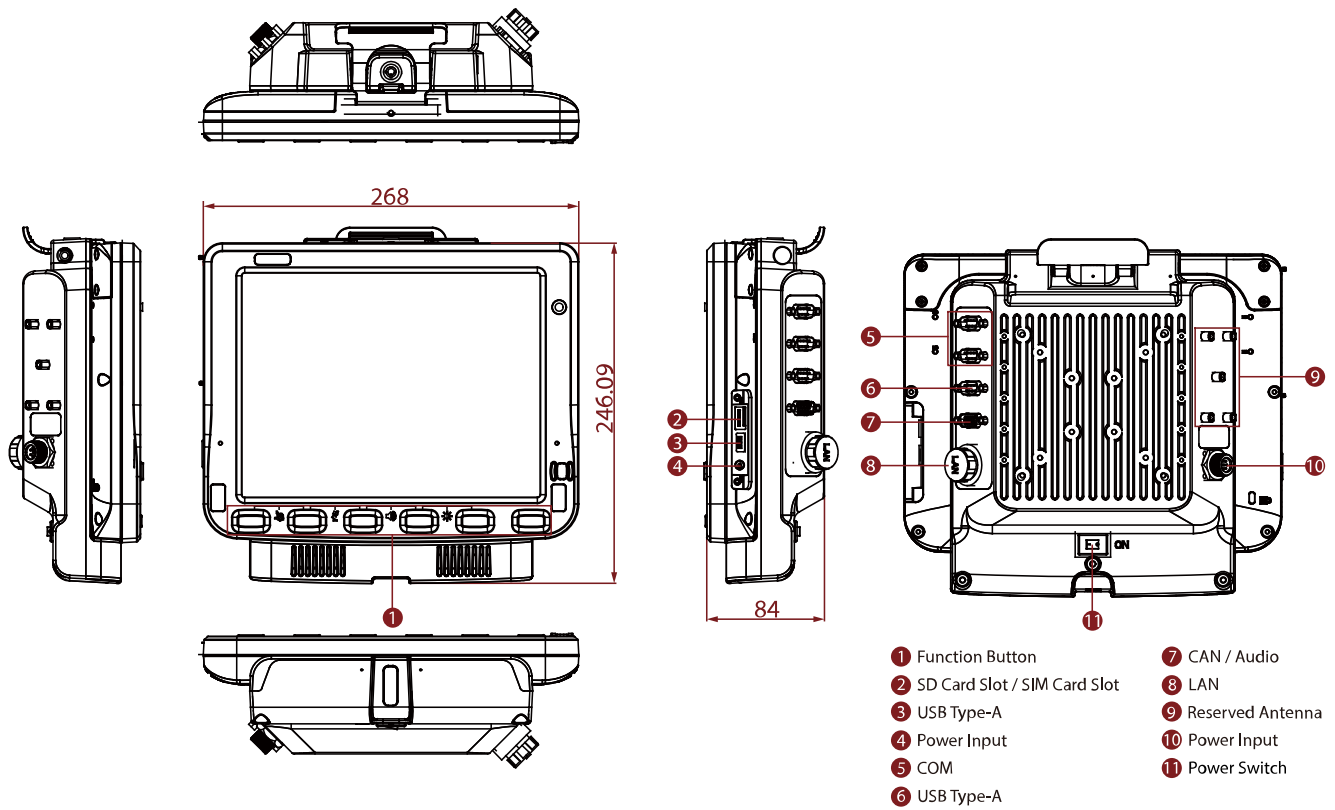
Accessory

Accessory	Dock + Latch Locking Key 5 m Power Cable with Fuse Kit 0.3 m USB Cable 0.15 m Power Converter Cable Cable Clamp Kit Wi-Fi Antenna x 1 Quick Start Guide Driver CD 84W Adapter with Power Cable External Antenna Fixing Bracket	Optional Accessory	2 m DC Jack Power Cable (Optional) 1.2 M 120 Watt Adapter (For Heater Model) (Optional) 4.2 m Adapter with Power Cable (Optional) 1.8 m RS232 Cable (Optional) 0.3 m Audio Cable (Optional) 1.8 m CAN BUS Y Cable (Optional) 2 m IP65 LAN Cable (Optional) Wi-Fi Antenna x 1 (Optional) 15A, 250V, VDA Type Fuses (Optional) Spare Key for Vehicle Dock (Optional) DC 12C/ 2A Output UHF Fixed Reader (Optional) GPS & LTE 2M Combo Antenna(VM240) (Optional) GPS & LTE 5M Combo Antenna (VM9C) (Optional) GPS & LTE & Wi-Fi Magnetic (Optional) Combo Antenna (VM10S) (Optional) Mounting Kit 1 No Drill (Optional) Mounting Kit 2 Drill (Optional) Mounting Kit 3 Keyboard Mounting (Optional) Stylus Kit + Screw (Optional)
------------------	---	---------------------------	---

Power

Battery	7.6V UPS Battery (2S1P) Minimum 30 minutes	Power Rating	Docking: 10V-60V with ignition control Tablet: 12V DC In
----------------	---	---------------------	---

DIMENSIONS UNIT:MM



NOTE

1. Total usable memory will be less dependent upon actual system configuration.
2. SOTI is available upon request.
3. Length measurements do not include protrusions. Weight varies with options.
4. Measured at dimming LCD brightness. Varies depending on the usage conditions, or when an external device is attached.
5. Accessories may vary depending on your configuration.
6. This is a simplified drawing and some components are not marked in detail.
7. The product shown in this datasheet is a standard model. For diagrams that contain customized or optional I/O, please contact the Winmate Sales Team for more information.