

VEHICLE DOCK FOR TOUGHPAD FZ-G1 (WITH ELECTRONICS) MODEL NUMBERS: PCPE-GJG1V01/V02/V03/V04

Made for each other: Gamber-Johnson's docking station perfectly compliments the Toughpad FZ-G1 offering a complete vehicle docking experience. Gamber Johnson is an industry leader in design innovation and in manufacturing high quality Toughpad vehicle solutions. Their development process includes extensive testing that results in the most rock solid docking solutions on the market today. These docks are designed, developed and manufactured to create an improved vehicle experience.

Features:

- Gamber-Johnson has worked with Panasonic to perform the appropriate tests needed to qualify the product as Toughbook Certified
- Designed using MIL-STD-810G test procedures
- Designed for the Toughpad FZ-G1
- Docking Station design accommodates extended battery, smart card reader, rear hand strap and bumper guards
- Docking station mounting pattern is VESA 75mm
- Docking station can be mounted either vertically or horizontally
- Alignment tabs prevent damage to the docking connector when docking the computer
- Steel and Composite design for reduced overall weight
- Rugged construction for long-term durability
- Warranty is 12 month RTB with options to extend to 3 years and 5 years

TOUGHPAD

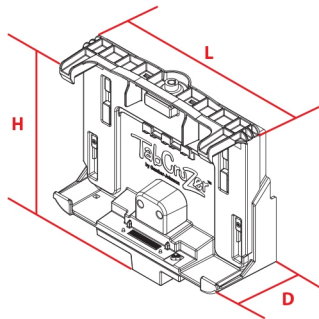
VEHICLE DOCK FOR TOUGHPAD FZ-G1

Gamber-Johnson manufactures vehicle docking stations intended specifically for use with the Toughpad FZ-G1 Tablet that can fit your unique in-vehicle requirements. This docking station is lightweight and has a high strength-to-weight ratio.

SPECIFICATIONS / MODEL NUMBERS	PCPE-GJG1V01	PCPE-GJG1V02	PCPE-GJG1V03	PCPE-GJG1V04
Electronics	Yes	Yes	Yes	Yes
Antenna Pass-through (TNC)	No	Yes	No	Yes
Key type	Keyed Alike	Keyed Alike	Keyed Differently	Keyed Differently
USB 3.0 ports			x2	
HDMI			x1	
VGA			x1	
Serial Port (D-sub 9 pin)			x1	
Ethernet (RJ45)			x1	
Power input (DC-IN)			x1	
Dimensions				
Height	232.2 mm (9.14")	251.2 mm (9.89")	232.2 mm (9.14")	251.2 mm (9.89")
Length	285 mm (11.22")	285 mm (11.22")	285 mm (11.22")	285 mm (11.22")
Depth	96.5 mm (3.8")	96.5 mm (3.8")	96.5 mm (3.8")	96.5 mm (3.8")
Weight	1.13 kg (2.5 lbs.)	1.13 kg (2.5 lbs.)	1.13 kg (2.5 lbs.)	1.13 kg (2.5 lbs.)



With standard battery With Marathon battery



Antenna Pass-Through (TNC)
Located at bottom of deck



Serial port

VGA video port

HDMI video port

USB 3.0 ports

Ethernet port

Power supply input

CERTIFICATIONS AND TESTING:

- Toughbook Certified
- RoHS, CE, FCC, TUV, C-Tick, E-Mark
- Vibration/shock testing: MIL-STD 810G